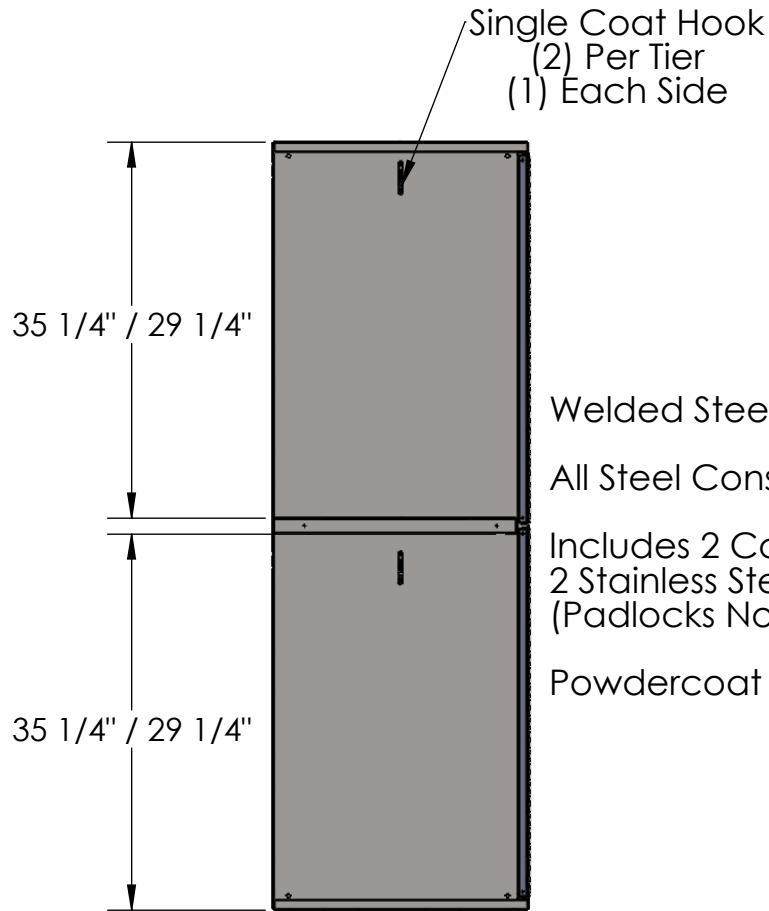
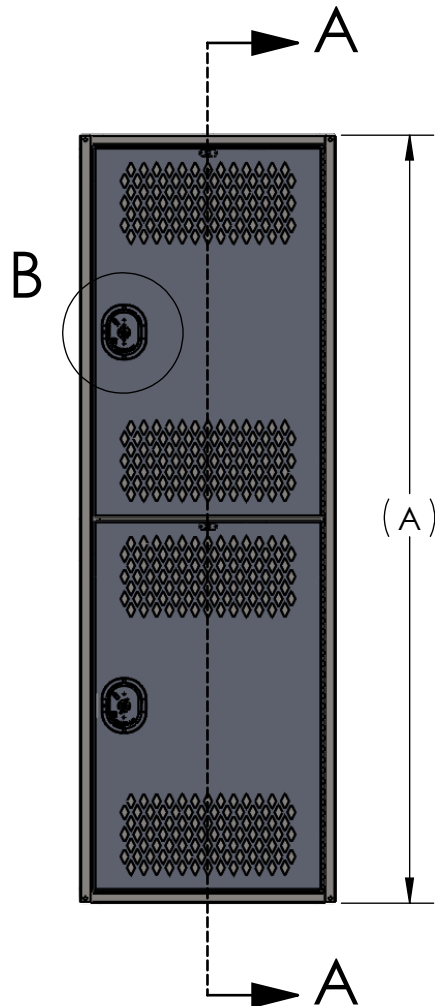
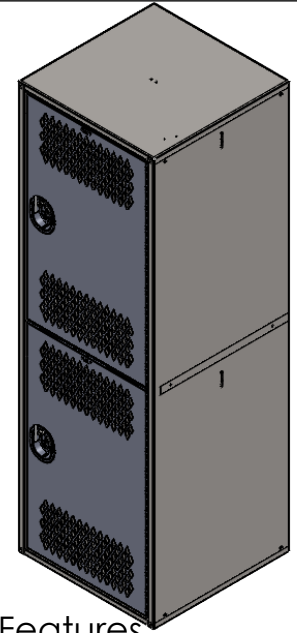


DETAIL B
SCALE 1 : 9

A3340 2-Tier, Standard Locker Size Chart		
Height (A)	Width (B)	Depth (C)
60"	12"	12", 15", 18"
60"	15", 18", 24"	12", 15", 18", 24"
72"	12"	12", 15", 18"
72"	15", 18", 24"	12", 15", 18", 24"

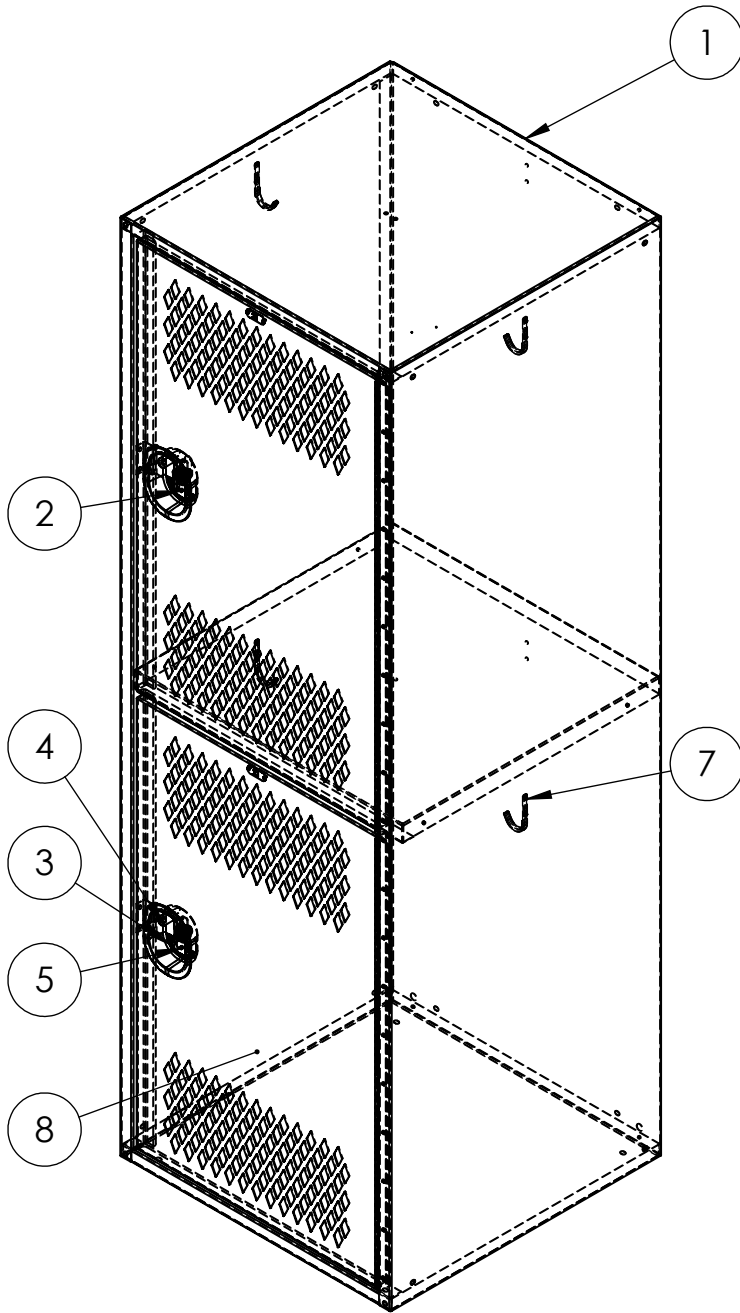
Note: 24"x24"x72"
2-Tier Locker Shown
for Clarity Purposes
Only, for Detailed
Locker Drawings
Contact PHS/Athletic
Edge Sales Associates



SECTION A-A

Welded Steel Locker, 2-Tier Standard Features
All Steel Construction, Minimum 16Ga Thickness
Includes 2 Coat Hooks, (1) Per Tier
2 Stainless Steel Recessed Cups With Hasp, (1) Per Tier
(Padlocks Not Included)
Powdercoat Color Per Purchase Order

DIMENSIONS ARE IN INCHES TOLERANCES: FRACTIONAL: ± 1/16" ANGULAR: MACH ± 1 BEND ± 1 ONE PLACE DECIMAL ±.1 TWO PLACE DECIMAL ±.05 THREE PLACE DECIMAL ±.005 DO NOT SCALE DRAWING		PROPRIETARY AND CONFIDENTIAL THE INFORMATION CONTAINED IN THIS DRAWING IS THE SOLE PROPERTY OF PIVOTAL HEALTH. ANY REPRODUCTION IN PART OR AS A WHOLE WITHOUT THE WRITTEN PERMISSION OF PIVOTAL HEALTH SOLUTIONS IS PROHIBITED.	Pivotal Health Solutions 3003 9th Ave SW, Watertown, SD 57201 pivotalhealthsolutions.com ph. 605-753-0110 fax. 605-882-8398
MATERIAL SEE BOM		Rev: 01	
DESC. Welded Locker, 2-Tier			
PART NUMBER - NAME A3340 2-Tier Layout DWG			
SIZE: A	SCALE: 1:18	SAVE: 2/4/2022	WEIGHT: 154.253lbs
ENGR. ET		SHEET 1 OF 3	



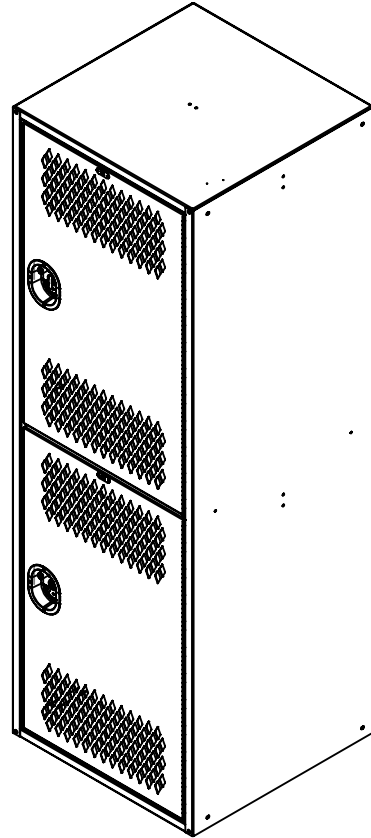
ITEM NO.	PART NUMBER	DESCRIPTION	QTY.
1	A3421	24X24X72 2 Tier Locker Body	1
2	A3565	Latch Mount	2
3	A3564	Wing Handle Cam Latch	2
4	A3395	HaspLock Rivet On Tab	2
5	A1138	SS Locker cup handle, AE logo	2
6	A1163	Number Tag Assembly for Metal Lockers	2
7	A3338	Single Hook, Steel (Schiffler PN BU0111)	4
8	A3422	Door Assembly 24" Wide 2 Tier Locker	2

DIMENSIONS ARE IN INCHES TOLERANCES: FRACTIONAL $\pm 1/16"$ ANGULAR: MACH ± 1 BEND ± 1 ONE PLACE DECIMAL $\pm .1$ TWO PLACE DECIMAL $\pm .05$ THREE PLACE DECIMAL $\pm .005$ DO NOT SCALE DRAWING	PROPRIETARY AND CONFIDENTIAL THE INFORMATION CONTAINED IN THIS DRAWING IS THE SOLE PROPERTY OF PIVOTAL HEALTH. ANY REPRODUCTION IN PART OR AS A WHOLE WITHOUT THE WRITTEN PERMISSION OF PIVOTAL HEALTH SOLUTIONS IS PROHIBITED.	Pivotal Health Solutions 3003 9th Ave SW, Watertown, SD 57201 pivotalhealthsolutions.com ph. 605-753-0110 fax. 605-882-8398
		Rev: 01

MATERIAL				
SEE BOM				
DESC.				
Welded Locker, 2-Tier				
PART NUMBER - NAME				
A3340 2-Tier Layout DWG				
SIZE: A	SCALE: 1:12	SAVE: 2/4/2022	WEIGHT: 154.253lbs	ENGR. ET
			SHEET 2 OF 3	

REVISIONS

ECO	Rev.	Engineer	Date	Approval	Date	ALE/AAL	Date	Changes
	01	CTK	1/26/2022		1/26/2022			Proto



01

DIMENSIONS ARE IN INCHES TOLERANCES: FRACTIONAL $\pm 1/16"$ ANGULAR: MACH ± 1 BEND ± 1 ONE PLACE DECIMAL $\pm .1$ TWO PLACE DECIMAL $\pm .05$ THREE PLACE DECIMAL $\pm .005$ DO NOT SCALE DRAWING		PROPRIETARY AND CONFIDENTIAL THE INFORMATION CONTAINED IN THIS DRAWING IS THE SOLE PROPERTY OF PIVOTAL HEALTH. ANY REPRODUCTION IN PART OR AS A WHOLE WITHOUT THE WRITTEN PERMISSION OF PIVOTAL HEALTH SOLUTIONS IS PROHIBITED.	Pivotal Health Solutions 3003 9th Ave SW, Watertown, SD 57201 pivotalhealthsolutions.com ph. 605-753-0110 fax. 605-882-8398
MATERIAL SEE BOM		Rev: 01	
DESC. Welded Locker, 2-Tier			
PART NUMBER - NAME A3340 2-Tier Layout DWG			
SIZE: A	SCALE: 1:18	DATE: 2/4/2022	WEIGHT: 154.253lbs
		ENGR. ET	SHEET 3 OF 3