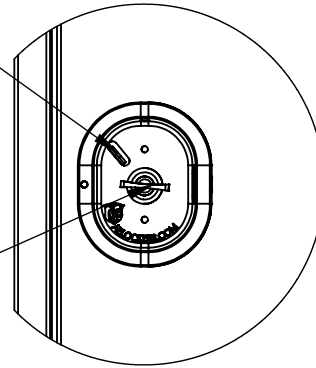


Recessed Cup With Hasp Lock

Wing Latch



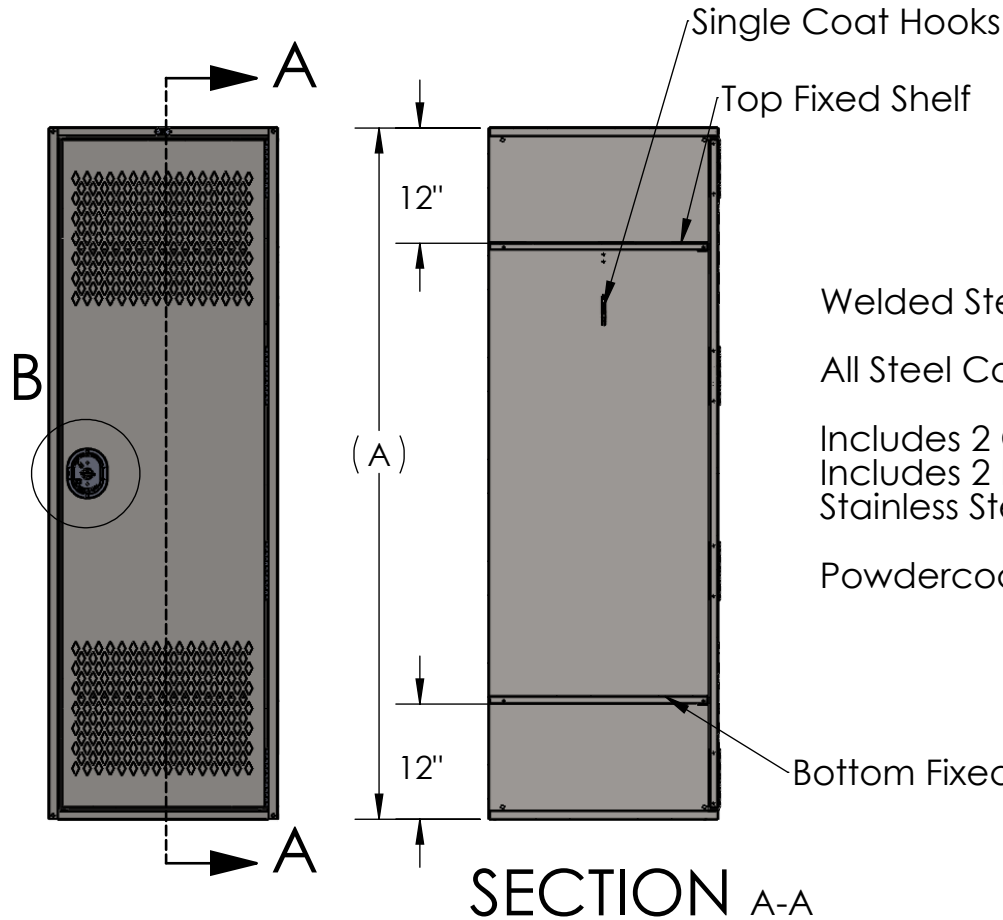
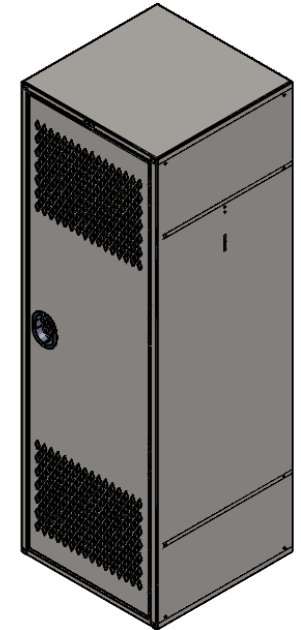
DETAIL B

SCALE 1 : 6

A1600 1-Tier, Standard Locker Size Chart

Height (A)	Width (B)	Depth (C)
60"	12"	12", 15", 18"
60"	15", 18", 24"	12", 15", 18", 24"
72"	12"	12", 15", 18"
72"	15", 18", 24"	12", 15", 18", 24"

NOTE: 24"x24"x72"  
Locker Shown for  
Clarity Purposes Only,  
for Detailed Locker Drawings  
Contact PHS/Athletic Edge  
Sales Associates



Welded Steel Locker, 1-Tier Standard Features

All Steel Construction, Minimum 16Ga Thickness

Includes 2 Coat Hooks Per Locker, (1) on each side wall

Includes 2 Fixed Shelves

Stainless Steel Recessed Cup With Hasp (Padlock Not Included)

Powdercoat Color Per Purchase Order

Bottom Fixed Shelf

SECTION A-A

DIMENSIONS ARE IN INCHES  
TOLERANCES:  
FRACTIONAL  $\pm 1/16"$   
ANGULAR: MACH  $\pm 1$  BEND  $\pm 1$   
ONE PLACE DECIMAL  $\pm .1$   
TWO PLACE DECIMAL  $\pm .05$   
THREE PLACE DECIMAL  $\pm .005$   
DO NOT SCALE DRAWING

**PROPRIETARY AND CONFIDENTIAL**  
THE INFORMATION CONTAINED  
IN THIS DRAWING IS THE SOLE  
PROPERTY OF PIVOTAL HEALTH.  
ANY REPRODUCTION IN PART OR  
AS A WHOLE WITHOUT THE WRITTEN  
PERMISSION OF PIVOTAL HEALTH  
SOLUTIONS IS PROHIBITED.

**Pivotal Health Solutions**  
3003 9th Ave SW,  
Watertown, SD 57201  
pivotalhealthsolutions.com  
ph. 605-753-0110  
fax. 605-882-8398

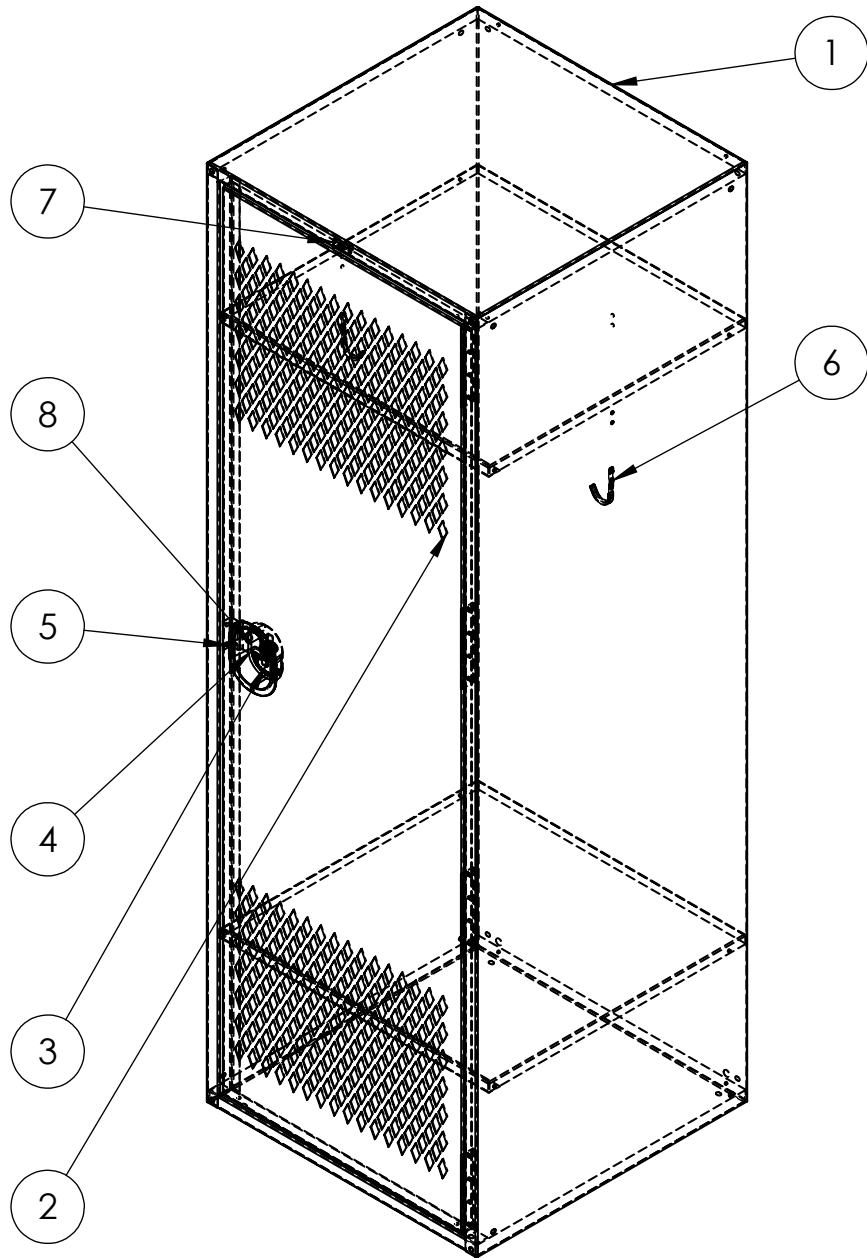
**Rev: 01**

MATERIAL  
SEE BOM

DESC.  
Welded Locker, 1-Tier

PART NUMBER - NAME  
**A1600 1-Tier Layout DWG**

SIZE: A | SCALE: 1:20 | SAVE: 2/3/2022 | WEIGHT: 161.404lbs | ENGR. ET | SHEET 1 OF 3

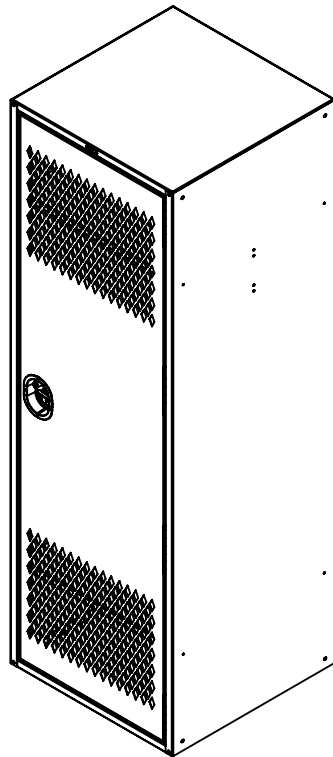


ITEM NO.	PART NUMBER	DESCRIPTION	QTY.
1	A1631	24X24X72 Locker Body	1
2	A1693	Door For 24" Wide Single Tier Locker	1
3	A3565	Latch Mount	1
4	A3564	Wing Handle Cam Latch	1
5	A1138	SS Locker cup handle, AE logo	1
6	A3338	Single Hook, Steel (Schiffler PN BU0111)	2
7	A1163	Number Tag Assembly for Metal Lockers	1
8	A3395	HaspLock Rivet On Tab	1

DIMENSIONS ARE IN INCHES TOLERANCES: FRACTIONAL $\pm 1/16"$ ANGULAR: MACH $\pm 1$ BEND $\pm 1$ ONE PLACE DECIMAL $\pm .1$ TWO PLACE DECIMAL $\pm .05$ THREE PLACE DECIMAL $\pm .005$ DO NOT SCALE DRAWING		<b>PROPRIETARY AND CONFIDENTIAL</b> THE INFORMATION CONTAINED IN THIS DRAWING IS THE SOLE PROPERTY OF PIVOTAL HEALTH. ANY REPRODUCTION IN PART OR AS A WHOLE WITHOUT THE WRITTEN PERMISSION OF PIVOTAL HEALTH SOLUTIONS IS PROHIBITED.	<b>Pivotal Health Solutions</b> 3003 9th Ave SW, Watertown, SD 57201 pivotalhealthsolutions.com ph. 605-753-0110 fax. 605-882-8398
MATERIAL SEE BOM		FINISH See PO for Color	<b>Rev: 01</b>
DESC. <b>Welded Locker, 1-Tier</b>			
PART NUMBER - NAME <b>A1600 1-Tier Layout DWG</b>			
SIZE: A	SCALE: 1:12	SAVE: 2/3/2022	WEIGHT: 161.404lbs
ENGR. ET		SHEET 2 OF 3	

REVISIONS

ECO	Rev.	Engineer	Date	Approval	Date	ALE/AAL	Date	Changes
	01	CTK	1/27/2022		1/27/2022			Proto



01

DIMENSIONS ARE IN INCHES TOLERANCES: FRACTIONAL $\pm 1/16"$ ANGULAR: MACH $\pm 1$ BEND $\pm 1$ ONE PLACE DECIMAL $\pm .1$ TWO PLACE DECIMAL $\pm .05$ THREE PLACE DECIMAL $\pm .005$ DO NOT SCALE DRAWING		<b>PROPRIETARY AND CONFIDENTIAL</b> THE INFORMATION CONTAINED IN THIS DRAWING IS THE SOLE PROPERTY OF PIVOTAL HEALTH. ANY REPRODUCTION IN PART OR AS A WHOLE WITHOUT THE WRITTEN PERMISSION OF PIVOTAL HEALTH SOLUTIONS IS PROHIBITED.	<b>Pivotal Health Solutions</b> 3003 9th Ave SW, Watertown, SD 57201 pivotalhealthsolutions.com ph. 605-753-0110 fax. 605-882-8398
MATERIAL SEE BOM		FINISH See PO for Color	
Rev: 01			
DESC. <b>Welded Locker, 1-Tier</b>			
PART NUMBER - NAME <b>A1600 1-Tier Layout DWG</b>			
SIZE: A	SCALE: 1:20	DATE: 2/3/2022	WEIGHT: 161.404lbs
		ENGR. ET	SHEET 3 OF 3